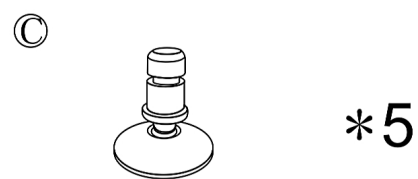
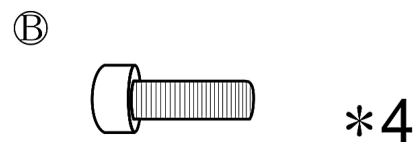
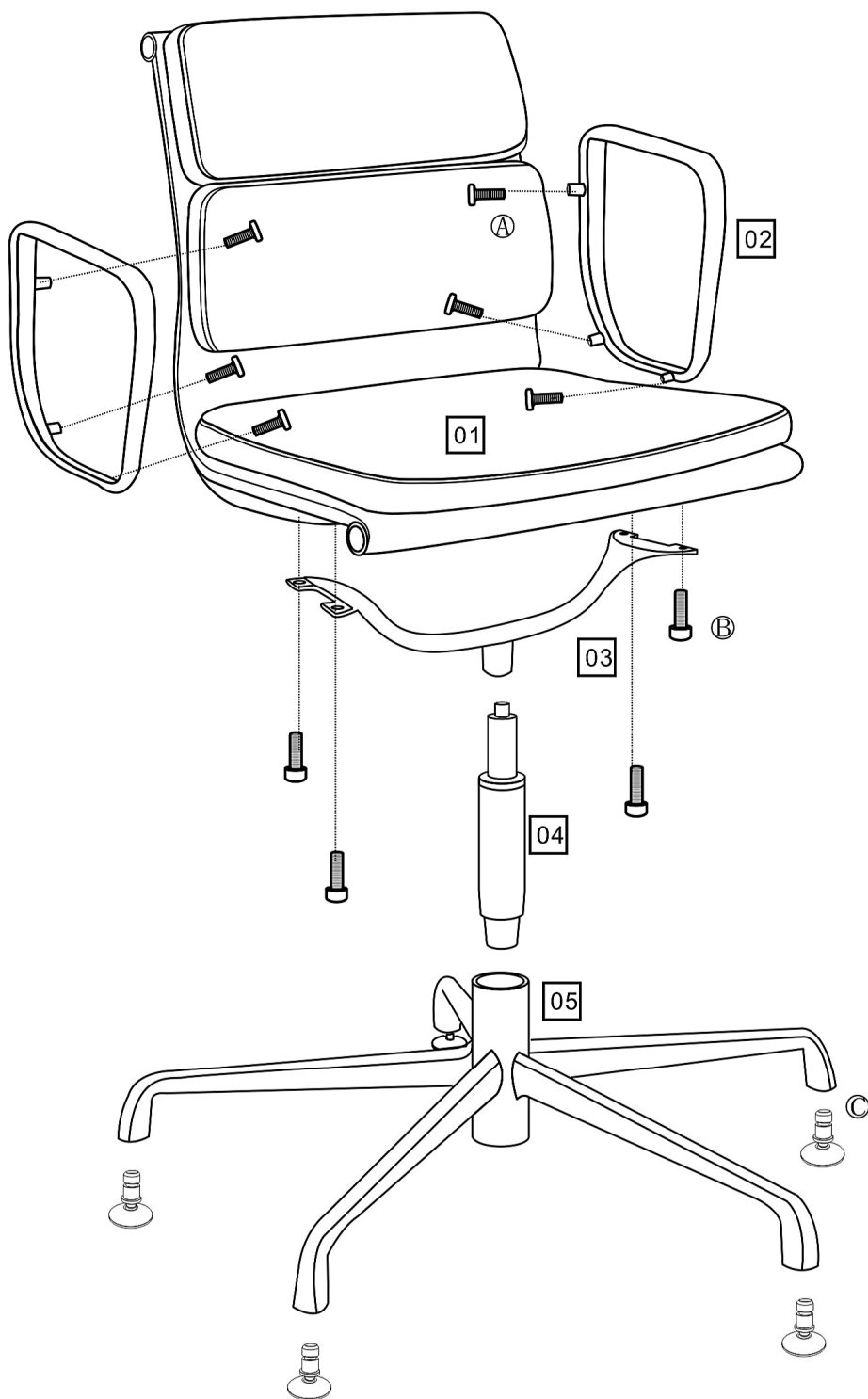


COMPONENT PARTS

FITTINGS



COMPONENT CHECKLIST

PART	No.	Qty.	
Seat	01	1	<input type="checkbox"/>
Arm rest	02	1	<input type="checkbox"/>
Tray	03	1	<input type="checkbox"/>
Lift	04	1	<input type="checkbox"/>
Leg	05	1	<input type="checkbox"/>

TOOLS REQUIRED



Allen key (supplied)