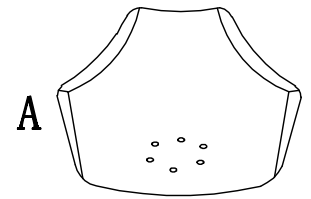
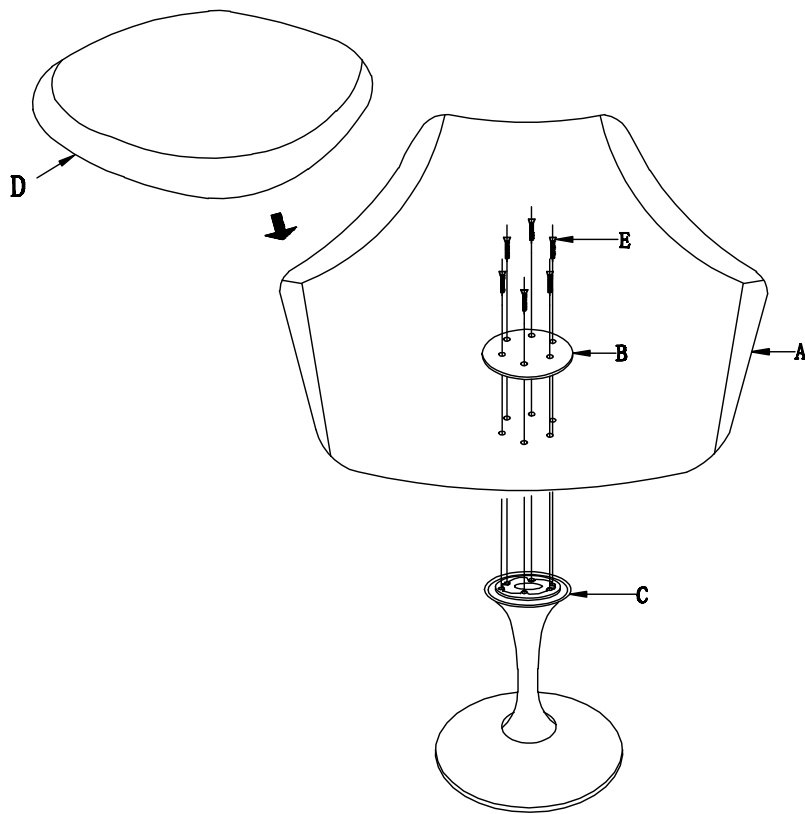


# Assembly Instruction

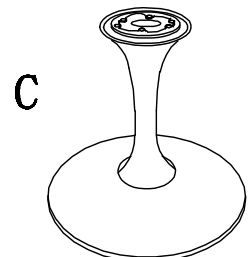
PC-010



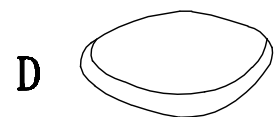
1PC



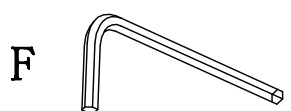
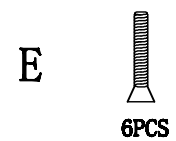
1PC



1PC



1PC



1PC