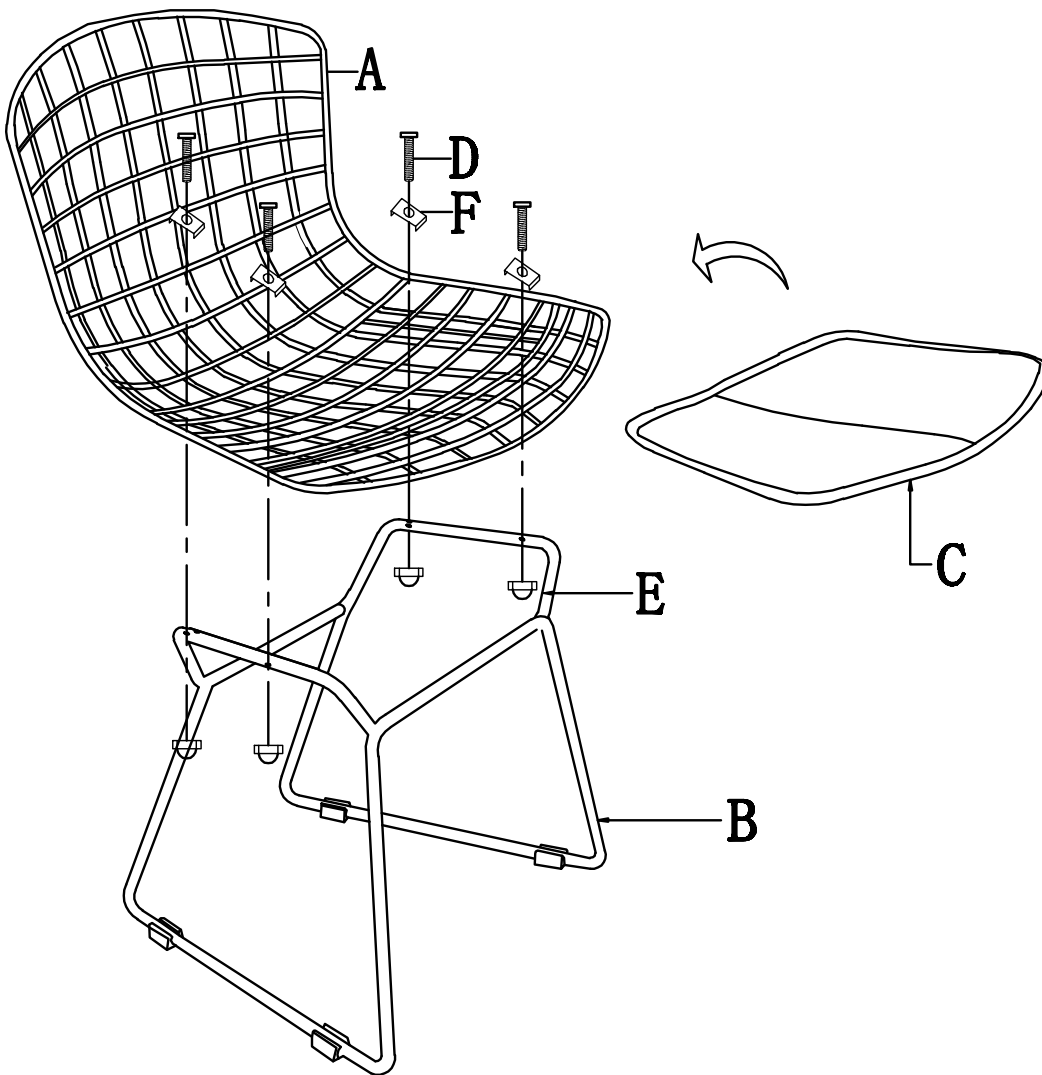
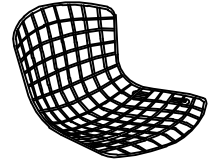


# Assembly Instruction

MC-020

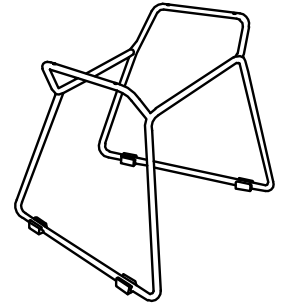


**A**



1PC

**B**



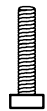
1PC

**C**



1PC

**D**



4PCS

**E**



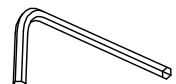
4PCS

**F**



4PCS

**G**



1PC

**H**



1PC