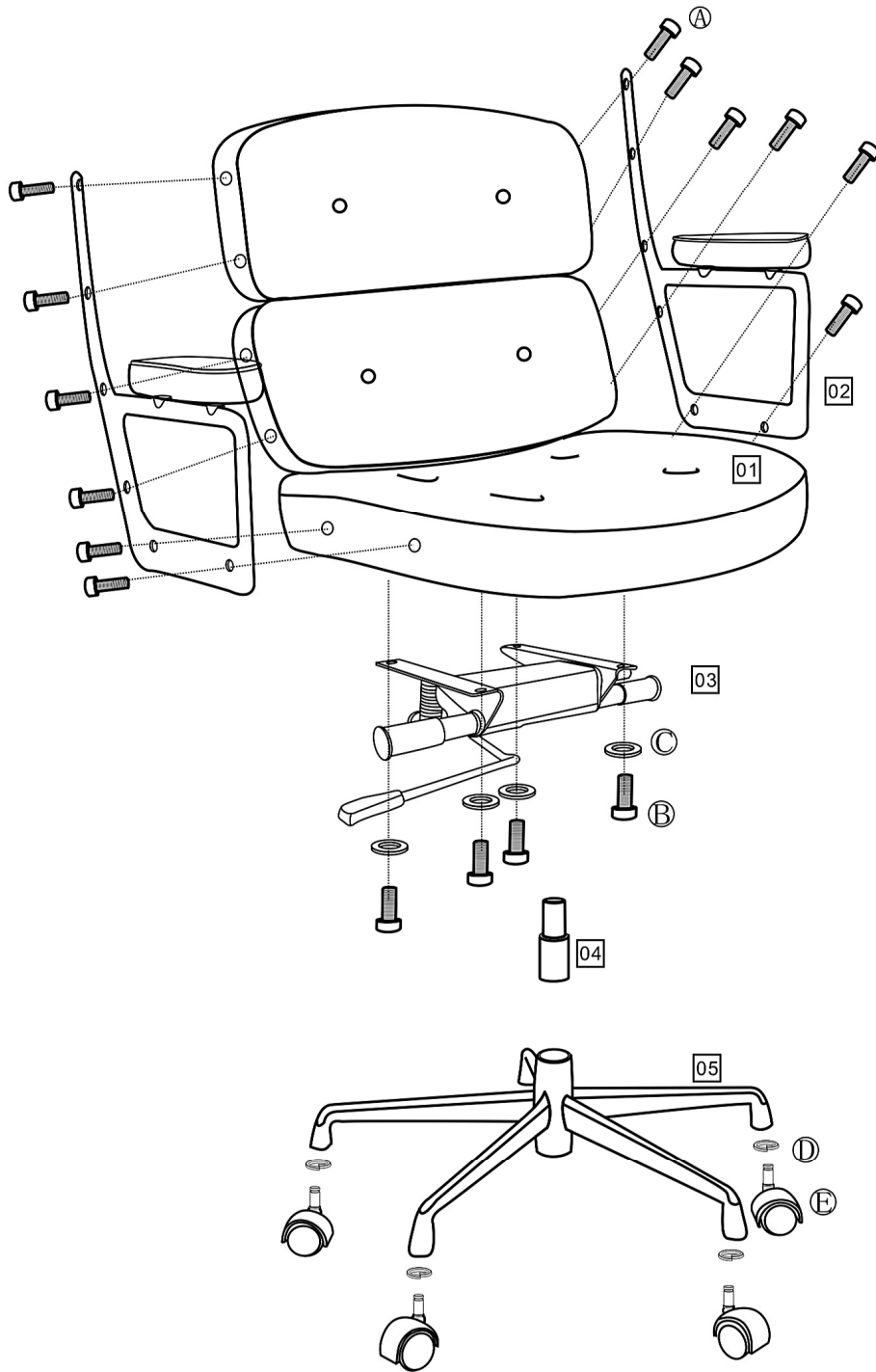


## COMPONENT PARTS

## FITTINGS



Ⓐ		*12
Ⓑ		*4
Ⓒ		*4
Ⓓ		*5
Ⓔ		*5

## COMPONENT CHECKLIST

PART	No.	Qty.	
Seat	01	1	<input type="checkbox"/>
Arm rest	02	1	<input type="checkbox"/>
Tray	03	1	<input type="checkbox"/>
Lift	04	1	<input type="checkbox"/>
Leg	05	1	<input type="checkbox"/>

## TOOLS REQUIRED



Allen key (supplied)