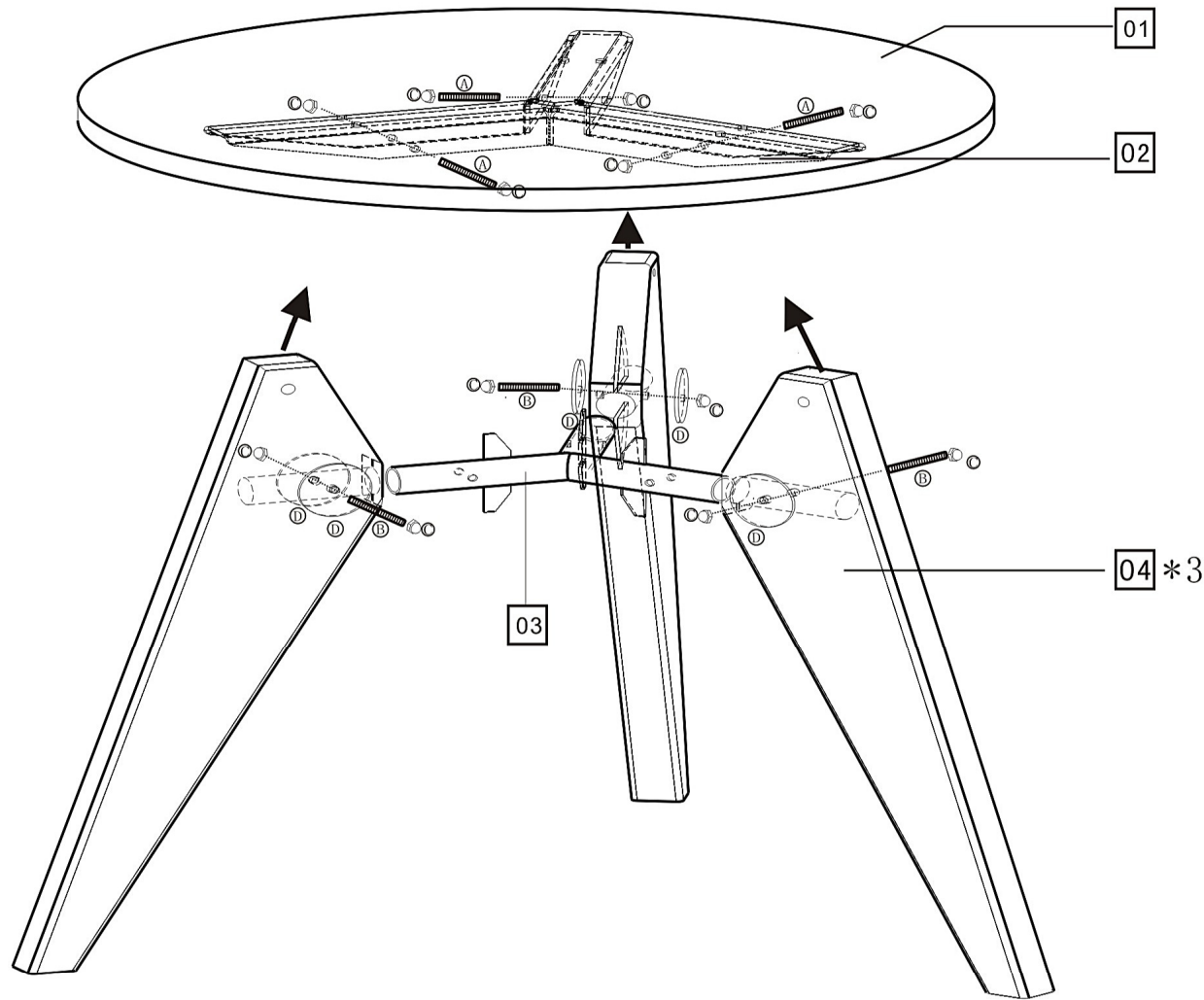






COMPONENT PARTS

FITTINGS

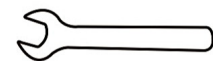


Ⓐ		X3
Ⓑ		X3
Ⓒ		X12
Ⓓ		X6

COMPONENT CHECKLIST

PART	No.	Qty.	
Top	01	1	<input type="checkbox"/>
Tray	02	1	<input type="checkbox"/>
Tube	03	1	<input type="checkbox"/>
Leg	04	3	<input type="checkbox"/>

TOOLS REQUIRED



Spanner (supplied)