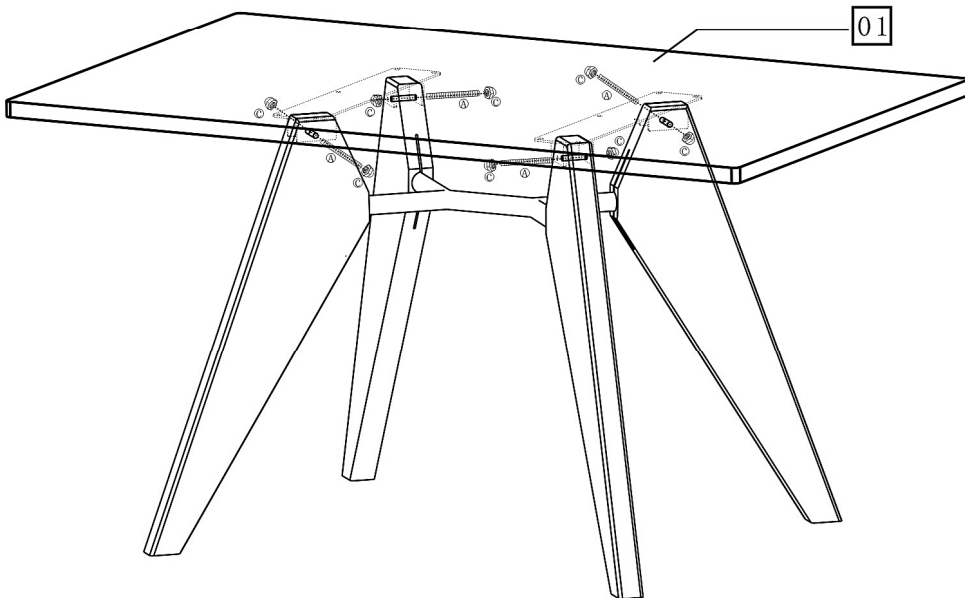
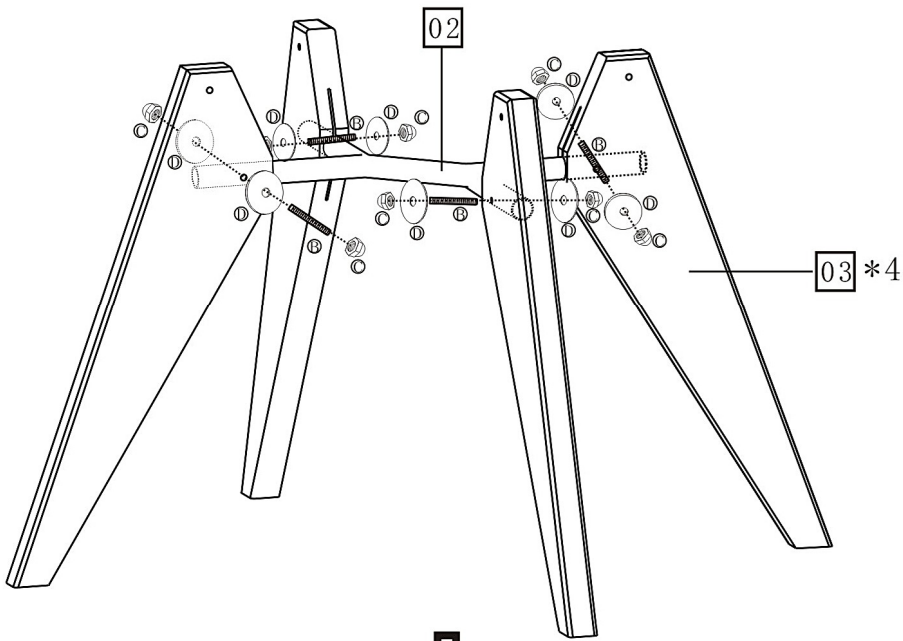


COMPONENT PARTS

FITTINGS

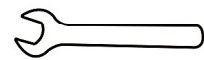


Ⓐ		X4
Ⓑ		X4
Ⓒ		X16
Ⓓ		X8

COMPONENT CHECKLIST

PART	No.	Qty.	
Top	01	1	<input type="checkbox"/>
Tube	02	1	<input type="checkbox"/>
Leg	03	4	<input type="checkbox"/>

TOOLS REQUIRED



Spanner (supplied)