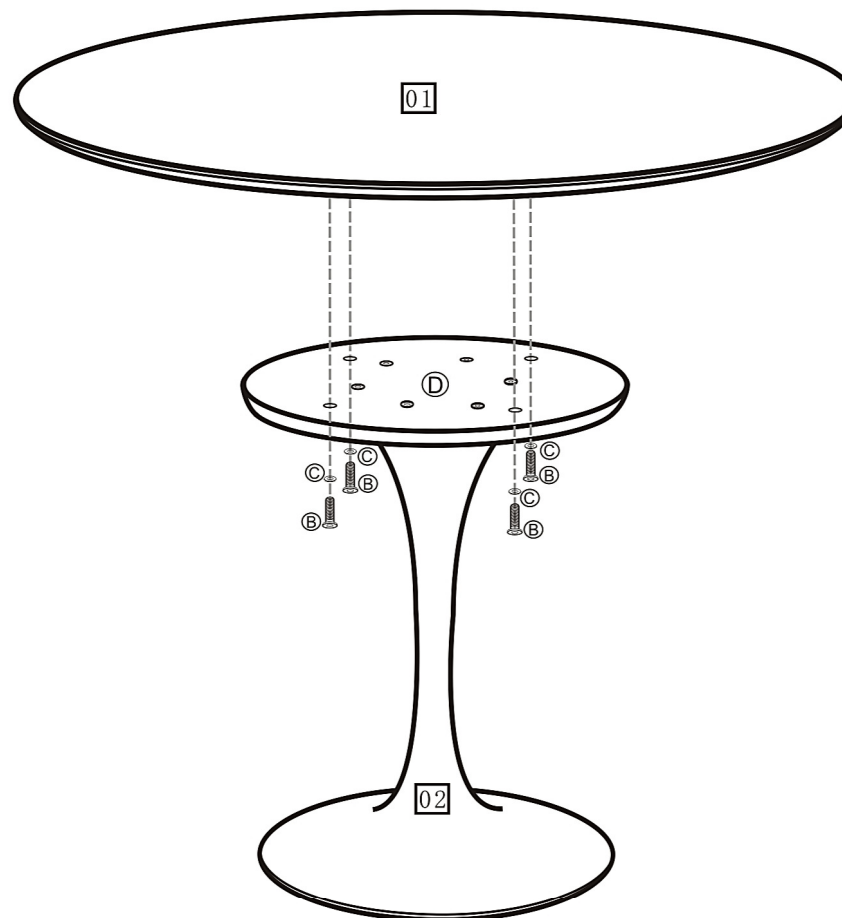
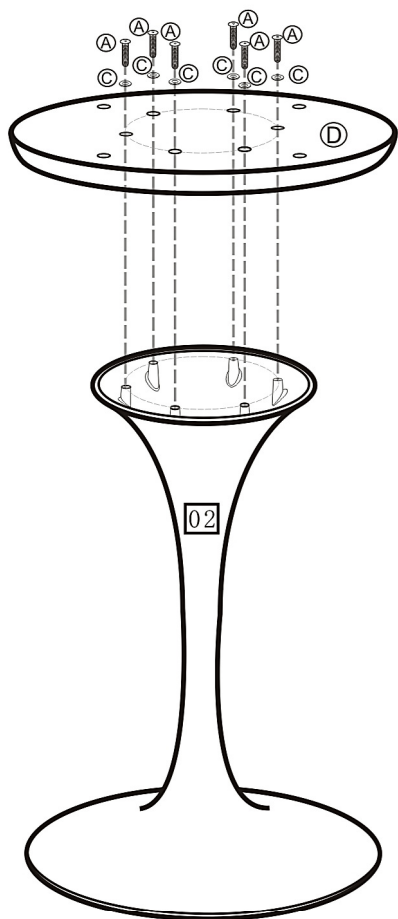






First

Second




- 
\*6
- 
\*4
- 
\*10
- 
\*1

COMPONENT CHECKLIST

PART	No.	Qty.	
Top	01	1	<input type="checkbox"/>
Leg	02	1	<input type="checkbox"/>

TOOLS REQUIRED

  
Allen key (supplied)

  
Allen key (supplied)